

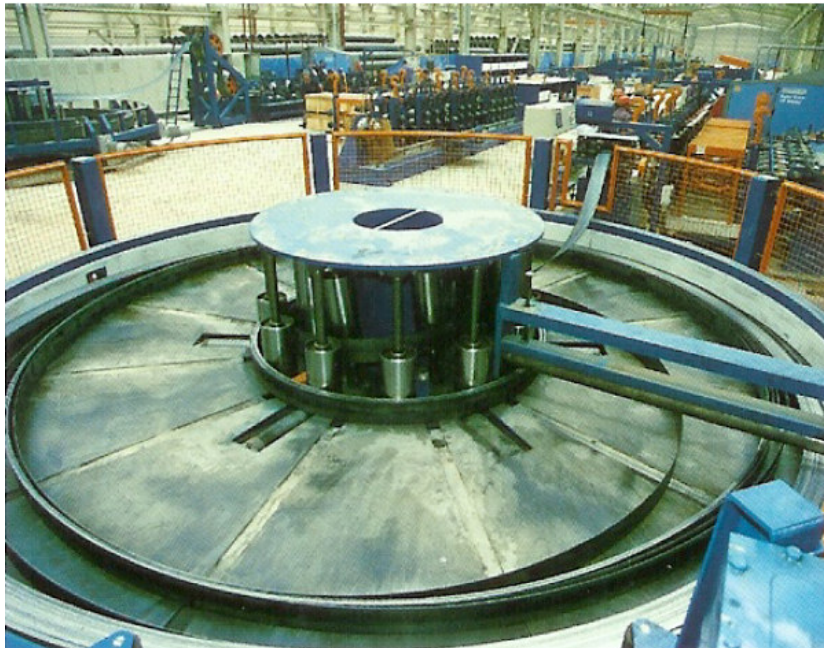
MAZZOLA ENGINEERING

Mechanical Engineers & Consultants since 1976

Machinery Division

Coil Storage, Transport and Loading Systems

Continuous Coil Feeding Equipment



CONTINUOUS COIL FEEDING EQUIPMENT HORIZONTAL STRIP ACCUMULATOR MODEL "AN-35"

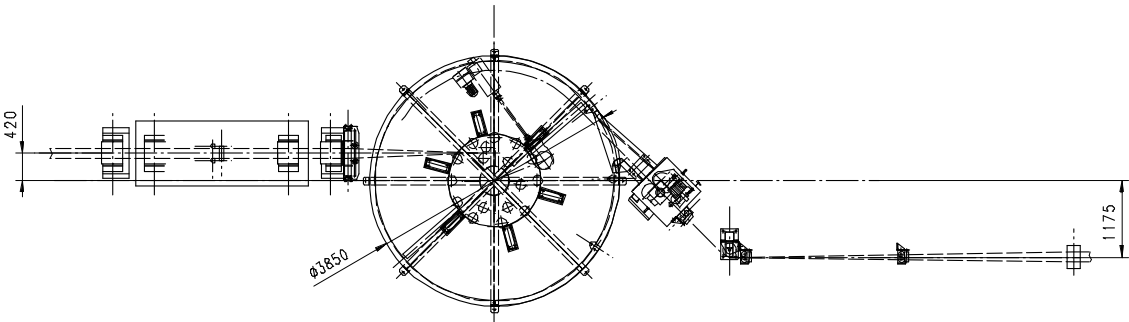
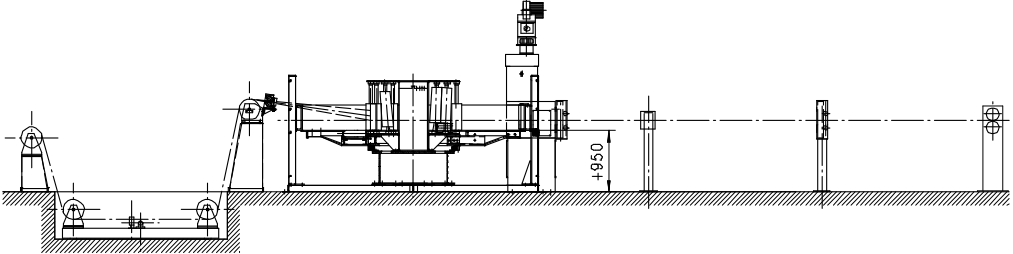
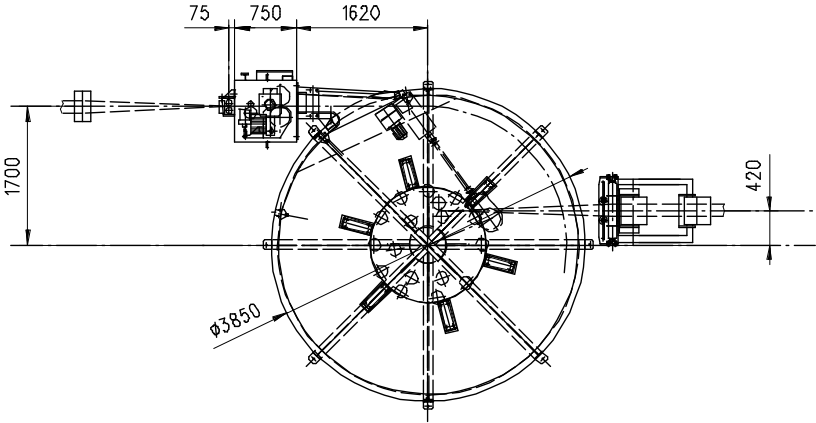
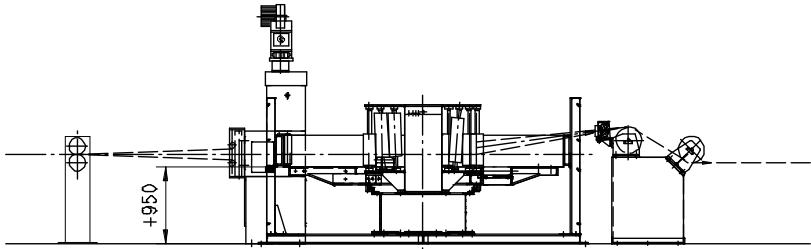
Basic equipment capable to handle strip up to 800mm (32.5") width and 12.5 (1/2") thickness. Machines designed to handle all strip materials such as steel and non ferrous materials.

- Greatest flexibility of layout and strip format
- Simple concept, robust design with few moving parts: practically maintenance free
- Modular design for parts commonality
- Easy to install

- Fully automatic operation
- Follows high-speed production lines

- Original design manufactured in Switzerland
- Built under license in Japan and in the USA
- 300+ units in operation worldwide

Layout Examples:



MAZZOLA ENGINEERING SA - CH-6537 Grono/Switzerland
Phone & Fax: +4191-827-1414